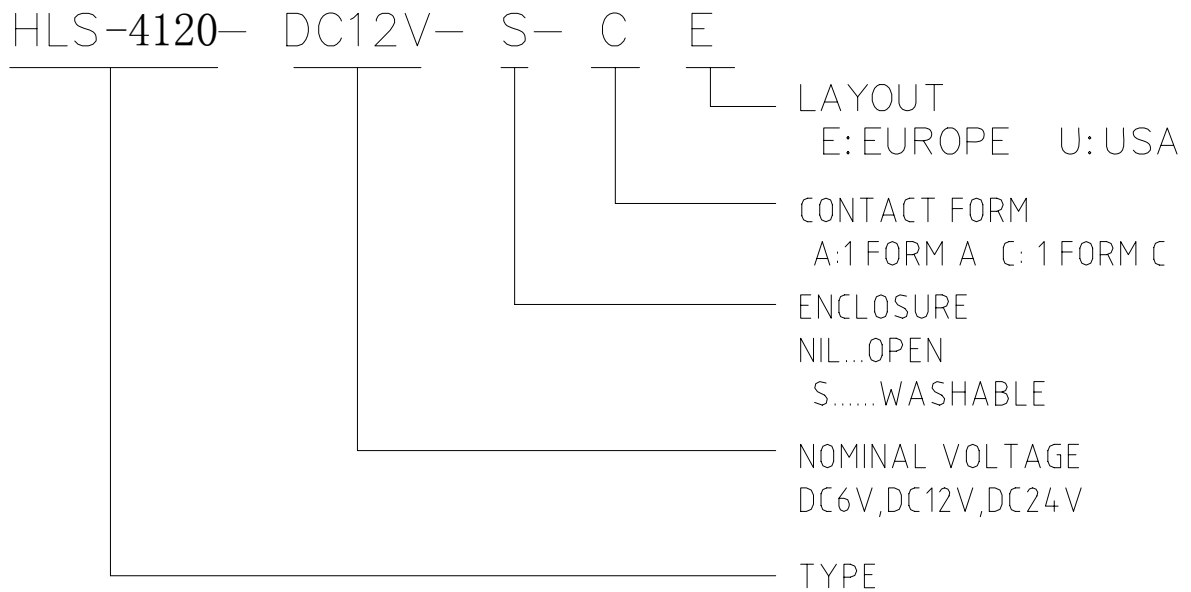


ORDERING CODE 订购代码



CONTACT DATA 触点参数:

Contact Form	触点形式	1A 1C
Contact Material	触点材料	Ag Alloy
Contact Ratings	触点负载	1A:40A 14VDC 1C: 30A 14VDC
Max Switching Voltage	最大转换电压	30VDC
Max Switching Current	最大转换电流	40A
Max Switching Power	最大转换功率	560W
Initial Contact Resistance	接触电阻 (首次)	100mΩ Max at6VDC 1A
Life Expectancy Electrical	电气寿命	100,000 Operations (rated load)
Life Expectancy Mechanical	机械寿命	10,000,000 Operations (no load)

GENERAL DATA 一般参数:

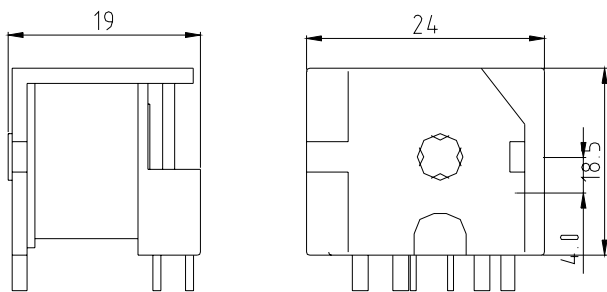
Insulation Resistance	绝缘阻值	100MΩ min at500VDC
Dielectric Strength Between Open Contacts	触点间耐压	500VAC 50-60HZ (1 minute)
Dielectric Strength Between Contacts And Coil	触点与线圈间耐压	750VAC 50-60HZ (1 minute)
Operate Time	吸合时间	5ms max
Release Time	释放时间	4ms max
Ambient Temperature	环境温度	-40°C to +85°C
Shock Resistance	冲击	10G
Vibration Resistance	振动	10-55Hz, 1.5mm double amplitude
Ambient humidity	湿度	40-85% RH
Weight	重量	Approx 30g
Safety Standard	安全标准	

COIL DATA 线圈参数: (@20°C)

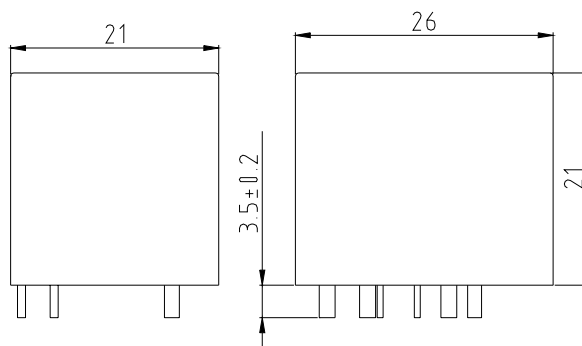
Rated Voltage 额定电压 (VDC)	Coil Resistance Ω ($\pm 10\%$) 线圈阻值 1.6W	Max Operate Voltage 最大吸合电压 (VDC)	Min Release Voltage 最小释放电压 (VDC)	Max Applied Voltage 最大允许电压 (VDC)
6	23	3.9	0.6	7.8
12	90	7.8	1.2	15.6
24	360	15.6	2.4	31.2

Outline Dimension 外形尺寸 (mm)

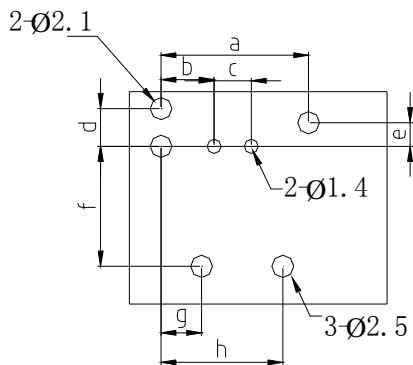
Open Type 敞开式



Sealed Type 密封式



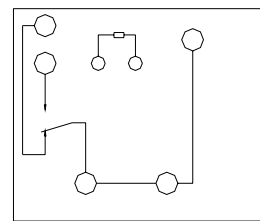
PC Board Layout 安装图



	U.S.A	EUROPE
a	14.88	15.9
b	5.35	5.9
c	3.75	4.2
d	3.75	3.3
e	2.33	2.2
f	11.8	12.1
g	4.08	2.2
h	12.28	13.2

(Bottom View) 底视

Wiring Diagram 接线图



(Bottom View) 底视