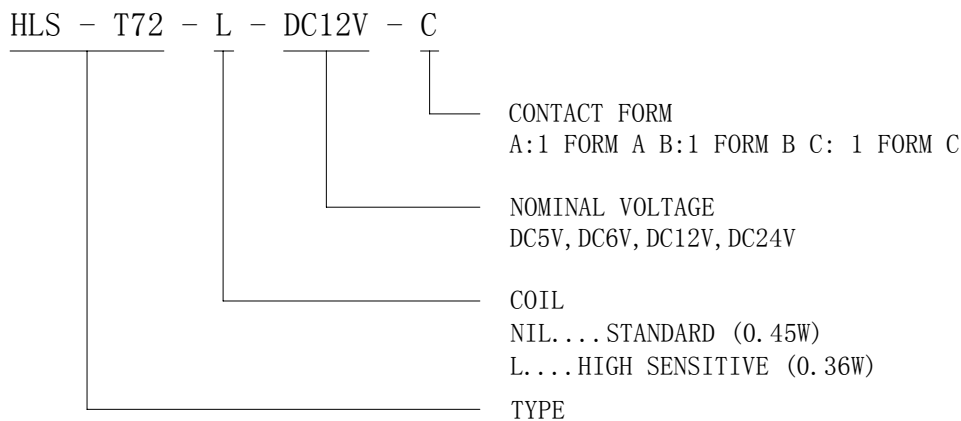




## ORDERING CODE 订购代码



## CONTACT DATA 触点参数:

Contact Form	触点形式	1A/1B/1C
Contact Material	触点材料	Ag Alloy
Contact Ratings	触点负载	10A 120VAC/28VDC :5A /240VAC
Max Switching Voltage	最大转换电压	250VAC/30VDC
Max Switching Current	最大转换电流	10A
Max Switching Power	最大转换功率	1200VA/240W
Initial Contact Resistance	接触电阻 (首次)	50m Ω Max at6VDC 1A
Life Expectancy Electrical	电气寿命	100,000 Operations (rated load)
Life Expectancy Mechanical	机械寿命	10,000,000 Operations (no load)

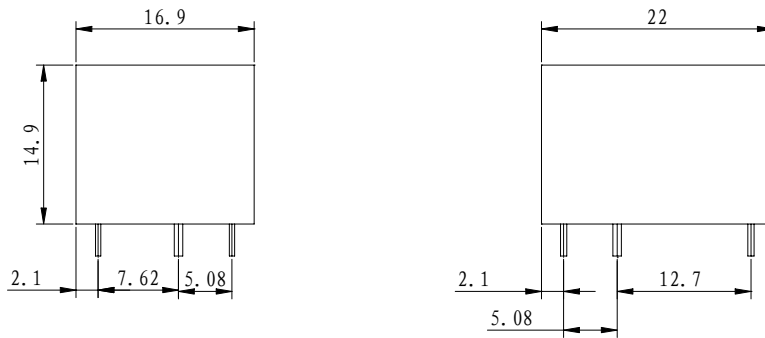
## GENERAL DATA 一般参数:

Insulation Resistance	绝缘阻值	1000M Ω min at500VDC
Dielectric Strength Between Open Contacts	触点间耐压	750VAC 50-60HZ (1minute)
Dielectric Strength Between Contacts And Coil	触点与线圈间耐压	2000VAC 50-60HZ (1 minute)
Operate Time	吸合时间	7ms max
Release Time	释放时间	4ms max
Ambient Temperature	环境温度	-40°C to +85°C
Shock Resistance 冲击	Malfunction	动作极限
	Destruction	破坏极限
Vibration Resistance	振动	10-55Hz, 1.5mm double amplitude
Ambient humidity	湿度	40-85% RH
Weight	重量	Approx 10g
Safety Standard	安全标准	CQC

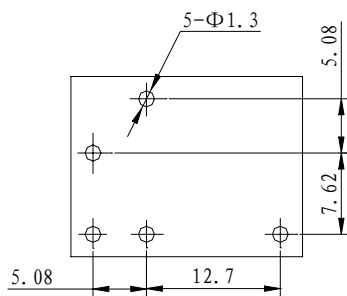
**COIL DATA 线圈参数: (@20°C)**

Rated Voltage 额定电压 (VDC)	Coil Resistance $\Omega$ ( $\pm 10\%$ ) 线圈阻值		Max Operate Voltage 最大吸合电压 (VDC)	Min Release Voltage 最小释放电压 (VDC)	Max Applied Voltage 最大允许电压 (VDC)
	0.36W	0.45W			
3	25	20	2.25	0.15	3.9
5	70	55	3.75	0.25	6.5
6	100	80	4.5	0.3	7.8
9	225	180	6.75	0.45	11.7
12	400	320	9	0.6	15.6
24	1600	1280	18	1.2	31.2
48	6400 $\pm 15\%$	5120 $\pm 15\%$	36	2.4	62.4

Outline Dimension 外形尺寸 (mm)

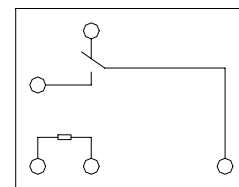


PC Board layout 安装图



(Bottom View) 底视

Wiring Diagram 接线图



(Bottom View) 底视